

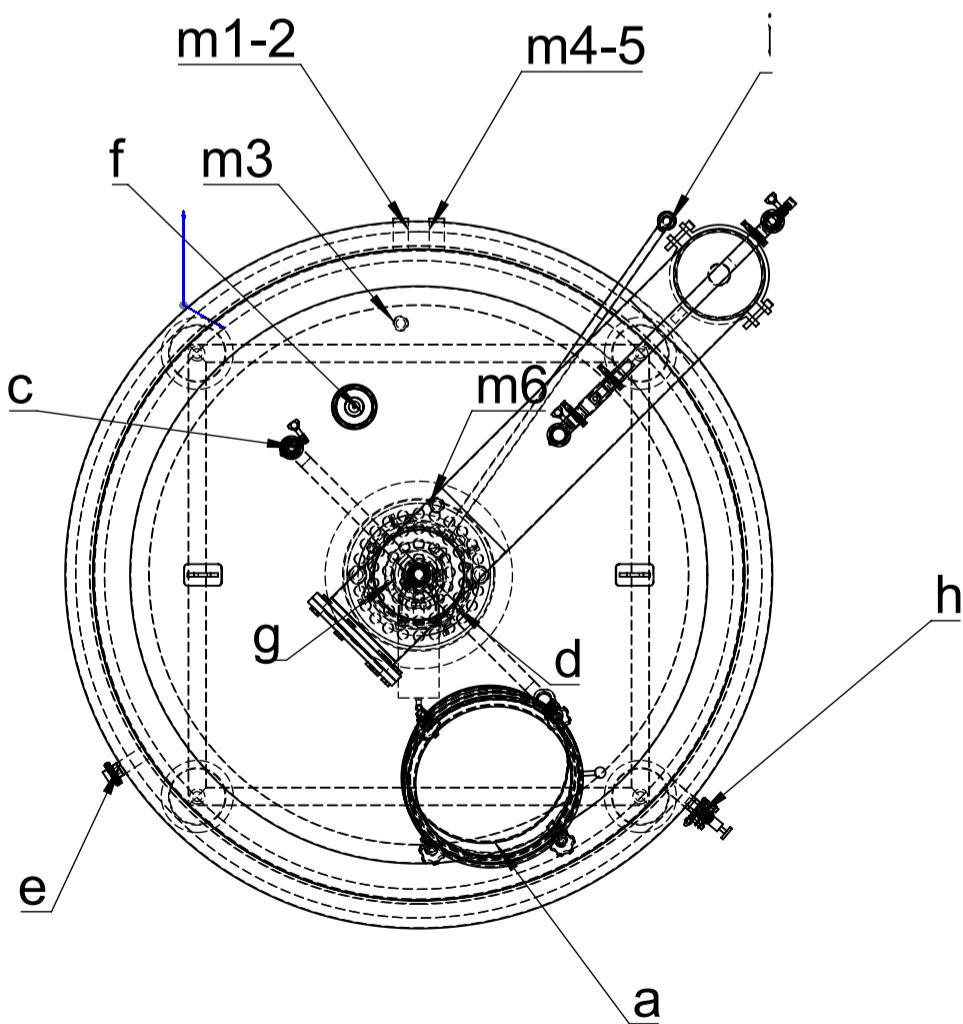
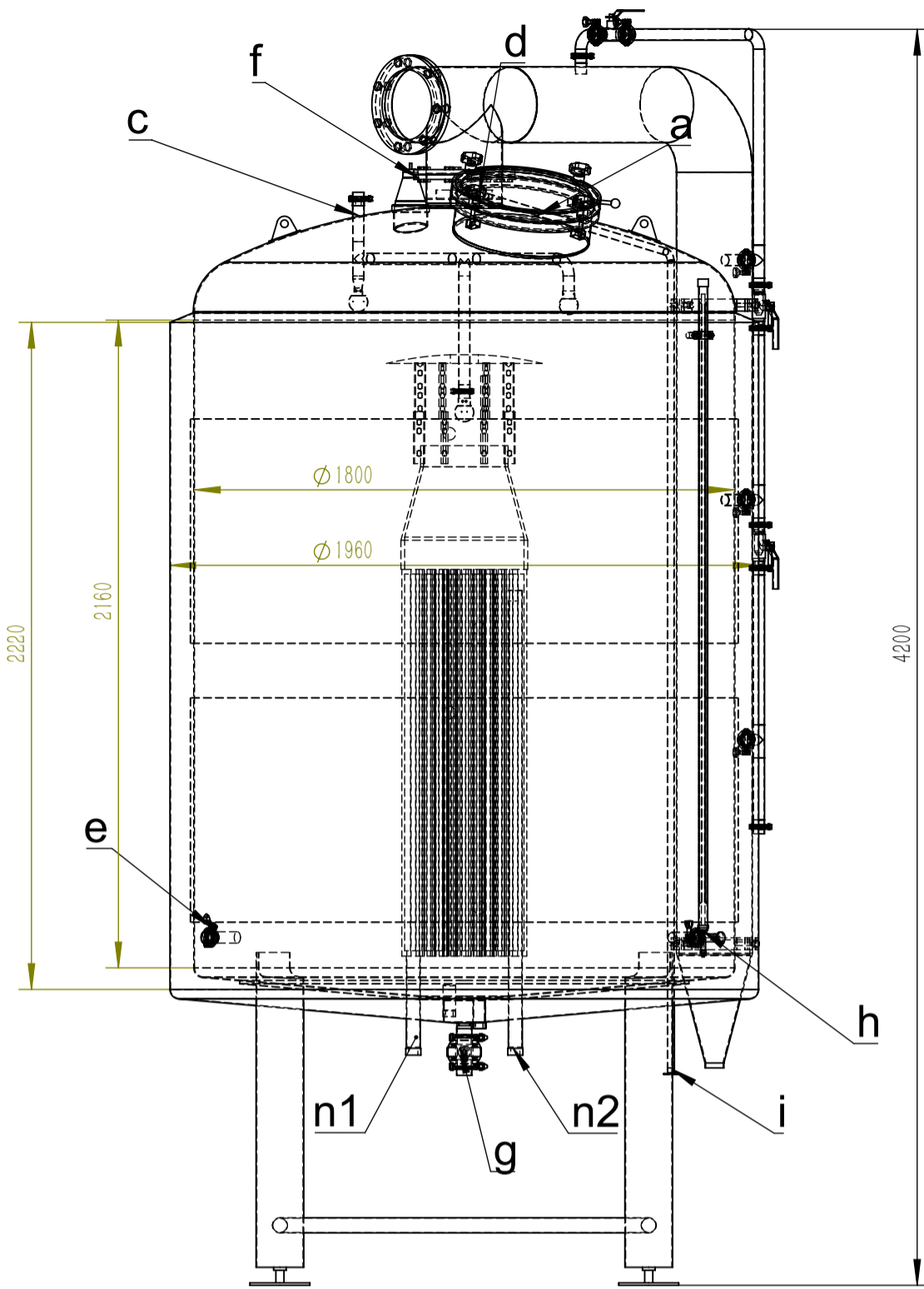
DESIGN DATA SHEET

DESIGN PARAMETERS

VESSEL CLASS		PRESSURE	
		VESSEL	JACKET
PARAMETER NAME			
WORKING PRESSURE	Mpa	NORMAL PRESSURES	0.4
DESIGN PRESSURE	Mpa	NORMAL PRESSURES	0.4
WORKING TEMPERATURE	°C	-5~100°C	
DESIGN TEMPERATURE	°C	-10~170°C	
MEDIUM		BEER	STEAM
MEDIUM DENSITY	Kg/m³		
MATERIAL		304	304
GROSS VOLUME	HL	56	
NET VOLUME	HL	48	
SAFETY VALVE ACT PRESSURE	Mpa	/	/
HEAT EXCHANGE AREA	m²		
INSULATION MATERIAL		PU	
INSULATION THICKNESS	mm	80	
PRESSURE TEST	Mpa	/	0.6
AIR-TIGHTNESS TEST	Mpa		

TABLE

NO.	NAME	CONNECT SIZE	CONNECT TYPE	REMARKS
a	MANHOLE	Φ430	Q-OPEN	
c	CIP	Φ38.1X1.5	CLAMP	
d	EXHAUST CAP	Φ154X2	CLAMP	
e	TEM-SENSOR	Φ38.1X1.5	CLAMP	
f	LIGHT	DN80/Φ114	SCREW	
g	DRAIN OUTLET	Φ50.8X1.5	CLAMP	
h	LEVEL PORT	Φ38.1X1.5	CLAMP	
i	condensate out	Φ19.05X1.5	CLAMP	
m1-6	STEAM PORT	NPT 1"	SCREW	
n1	STEAM IN	NPT 2"	SCREW	
n2	STEAM OUT	NPT 1.5"	SCREW	



PART NAME		48HL KETTLE				Deep Creek Brewery	
DRAW	Frank	2020/8/21	SCALE	1:16	TOTAL 1 PAGE 1		
VERIFY			PROJECTION		PART NO.		
CONFIRM			WEIGHT	Kg	48HL KETTLE-REV.01		